

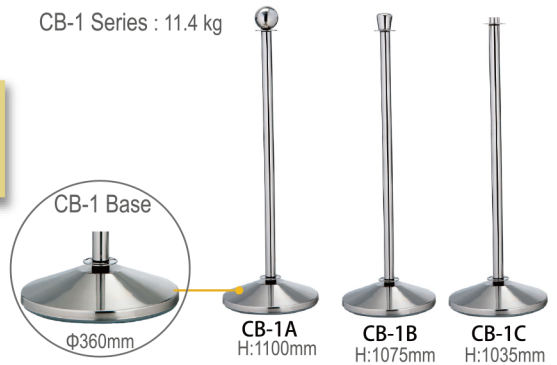
Suitable For :

- Cafe / Afternoon Tea Shop
- Restaurant
- Gym
- Lobby/ Square
- Any Indoor / Outdoor Activity :
ex. Product Launching , Opening Ceremony,
Carpet Greeting, Brand Show, Competition, etc.

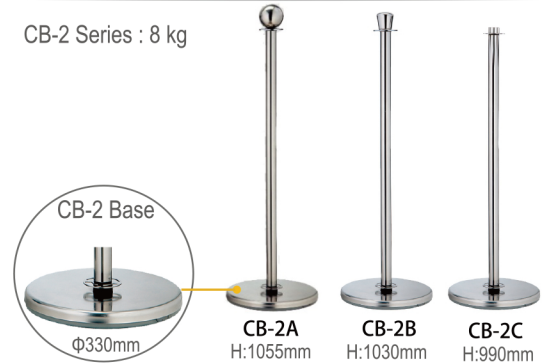
2 Main Function:

- Crowd Control
- Advertising

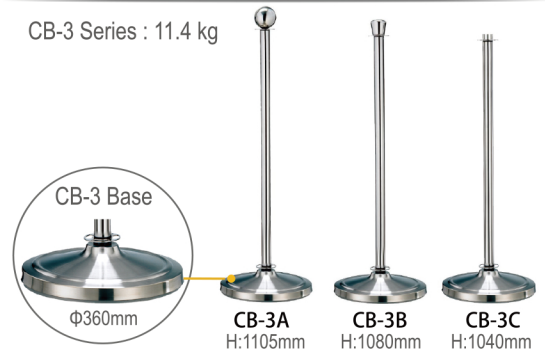
CB-1 Series : 11.4 kg



CB-2 Series : 8 kg



CB-3 Series : 11.4 kg



9 options

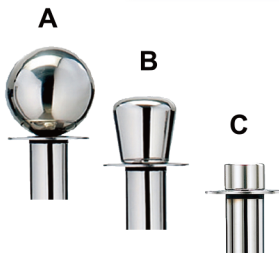
- 3 different shapes of top
- 3 different shapes/weights of base

Our banner stanchion can be customized for heavier total weight 12.5 ~18kg.

Top

High-class Quality

- Rich in artistic design
- 3 options of top shape



Base

Specialized Design Base

- Scratch-resistant & Water-proof & Antirust
- HDPE shell with iron sand inside for counterweight
- 3 options of base shape and weight



Accessory

Banner Bar

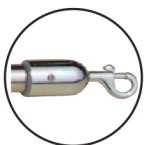
BS-140



BS-170



■ Customized length is acceptable.



EH-15W
Bungee

Unit:1 pc



RS-C1
Wall mounted hook

